

PRL GLASS SYSTEMS

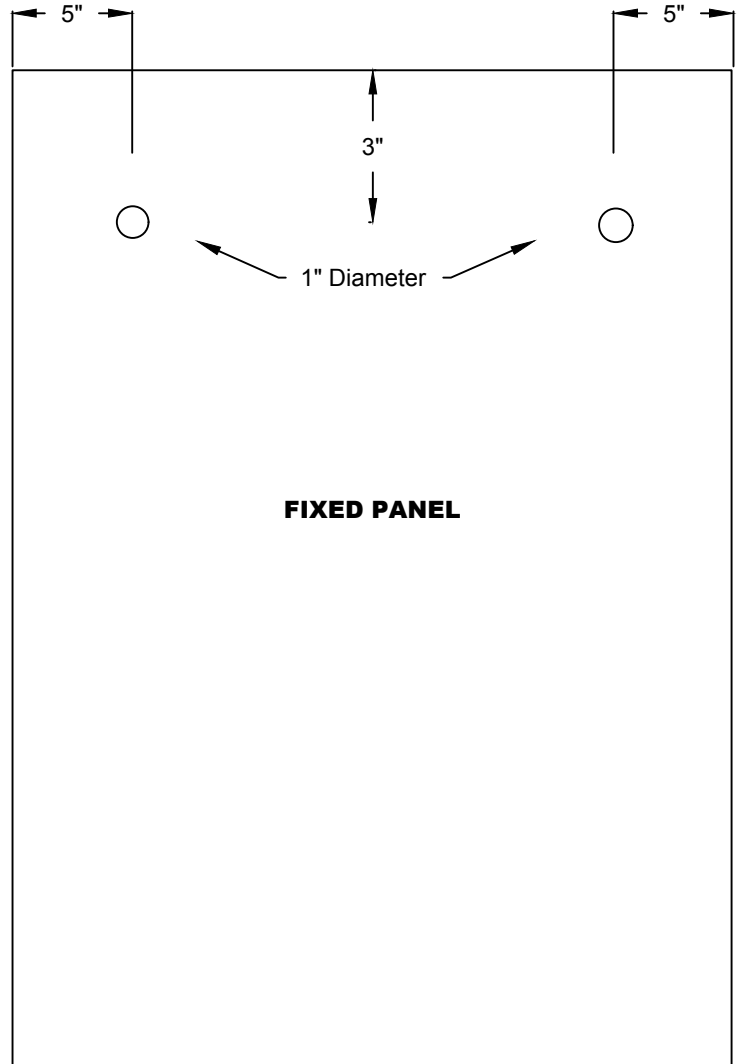
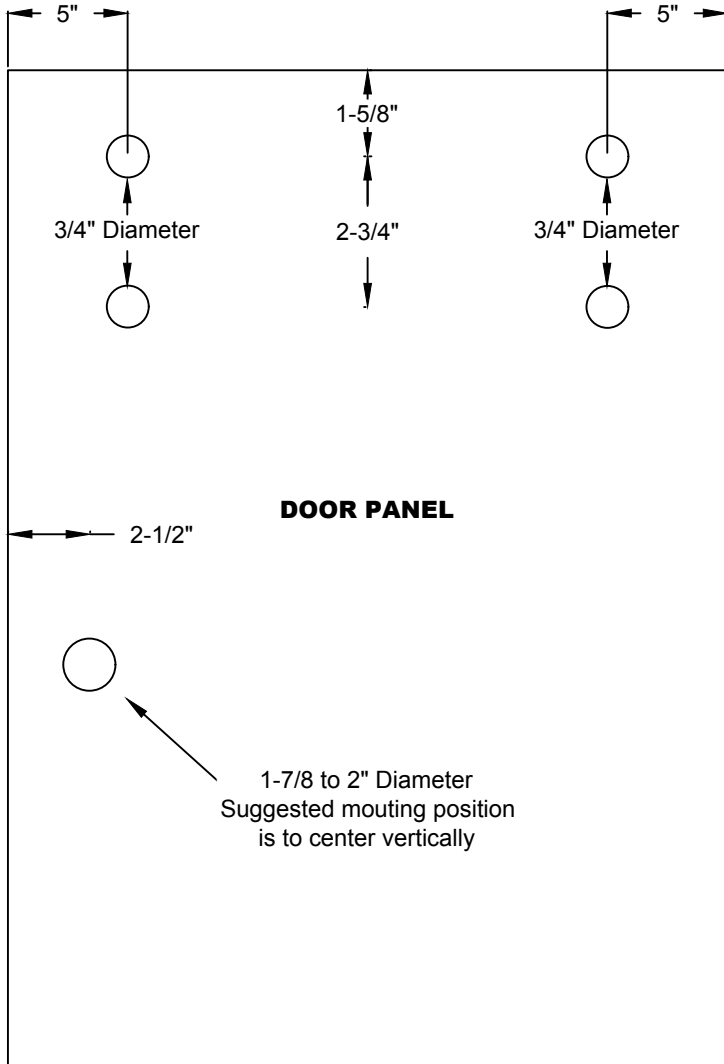
RUBY SHOWER DOOR SLIDER PART # PL-SDRUBY

CUSTOMER: _____

GLASS TYPE: _____

PO# / Job name: _____

Glass Thickness: _____



PRL GLASS SYSTEMS

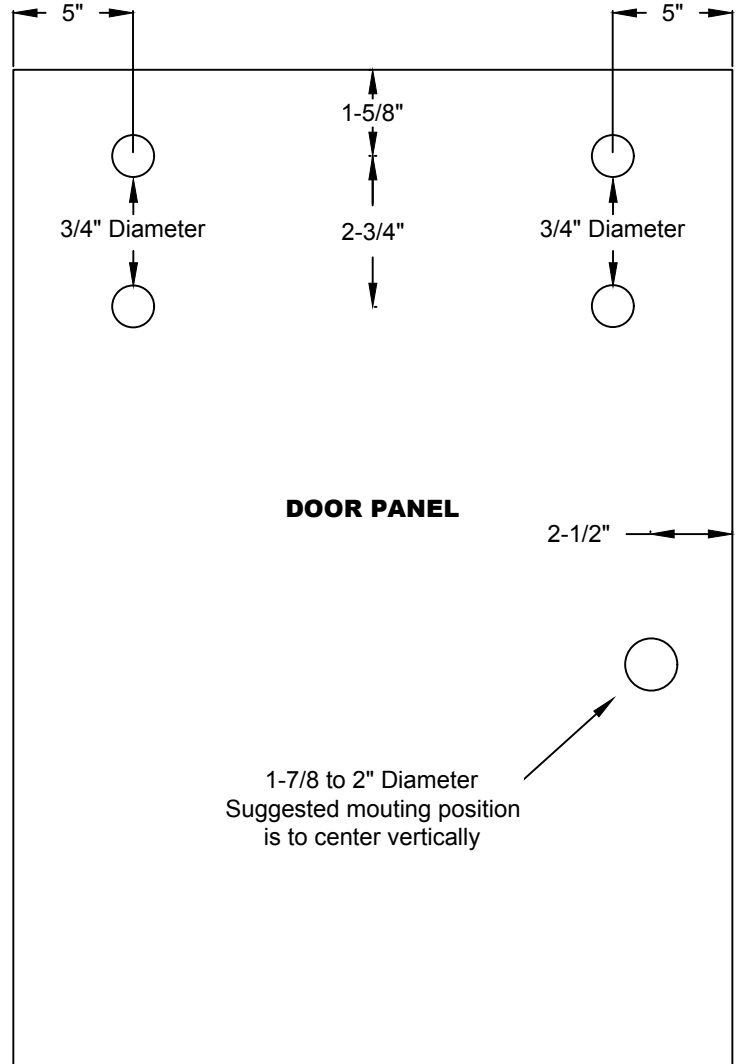
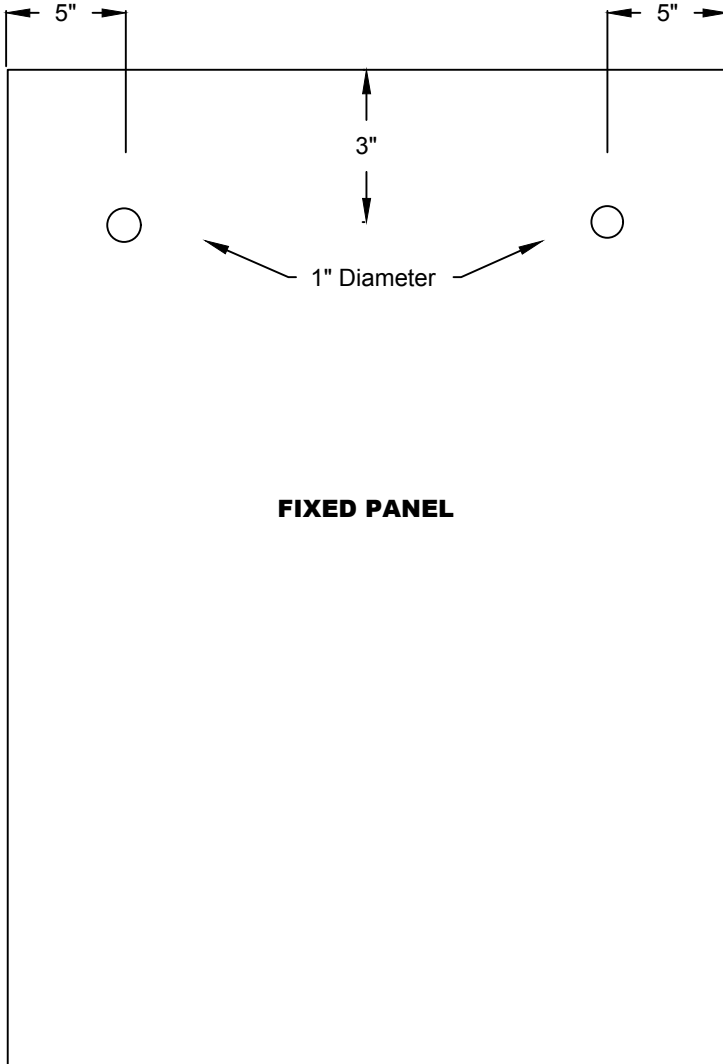
RUBY SHOWER DOOR SLIDER PART # PL-SDRUBY

CUSTOMER: _____

GLASS TYPE: _____

PO# / Job name: _____

Glass Thickness: _____



PRL GLASS SYSTEMS

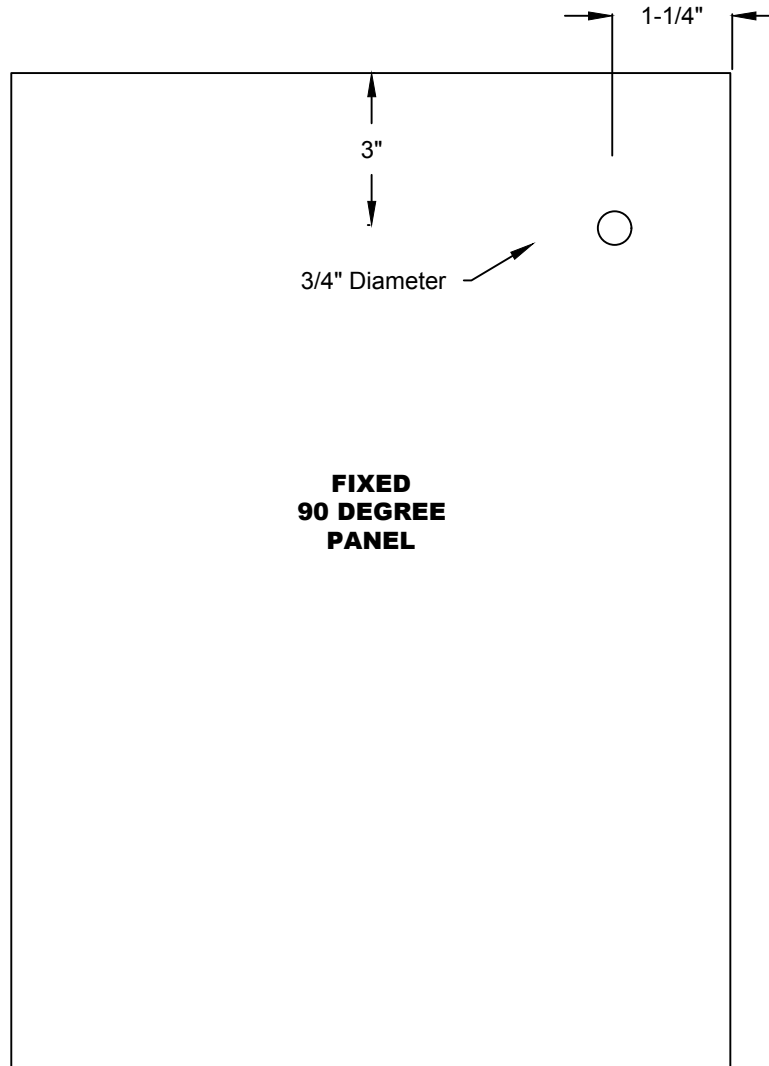
RUBY SHOWER RETURN PANEL GLASS TEMPLATE PART # PL-SDRUBY90

CUSTOMER: _____

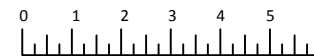
GLASS TYPE: _____

PO# / Job name: _____

Glass Thickness: _____



PL-SDRUBY

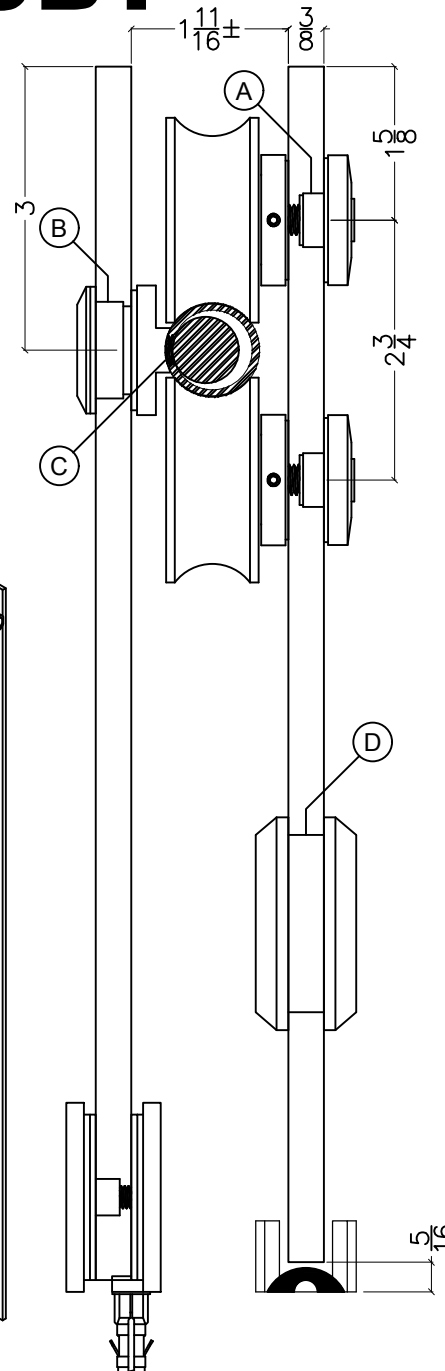
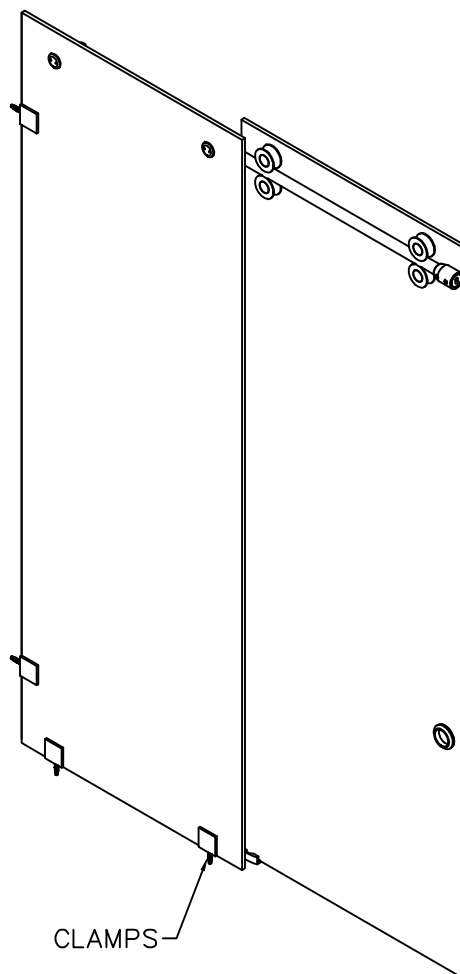
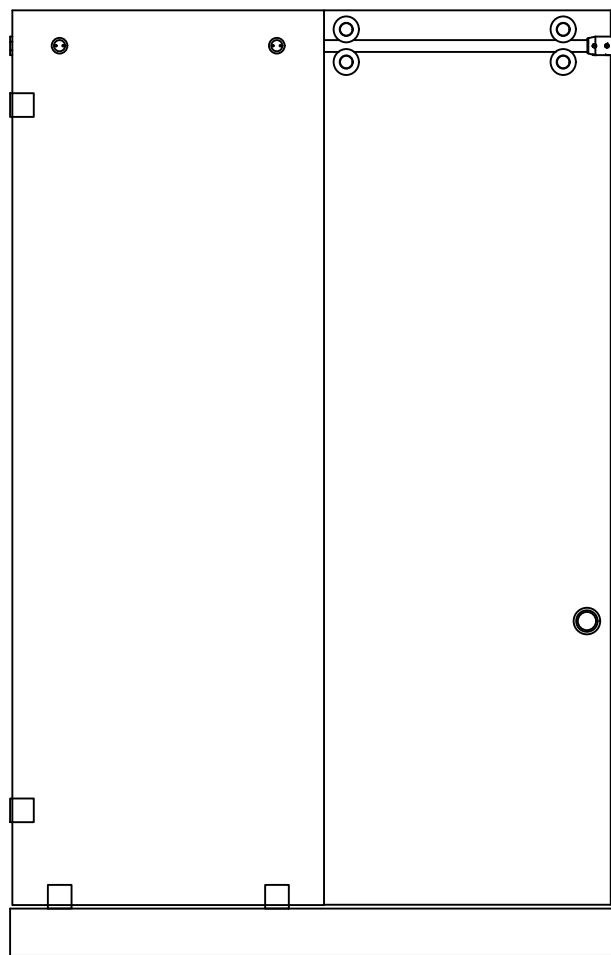


(USE RULER TO SCALE DIMENSIONS IN INCHES)
(DRAWING NOT TO SCALE)

- Finishes Available
- Polished Stainless PL-SDRUBYPS
 - Brushed Stainless PL-SDRUBYBS
 - Oil Rubbed Bronze PL-SDRUBYORB

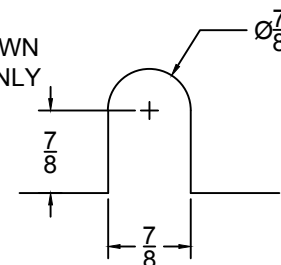
MAXIMUM WEIGHT: 130 LBS
SUPPORT BAR LENGTH: 60"

- A) ROLLER HOLE SIZE: 3/4"Ø
- B) FIXED PANEL HOLE SIZE: 1"Ø
- C) TRACK HOLE SIZE: 3/8"Ø
- D) FLUSH PULL HOLE SIZE: 1-7/8"Ø

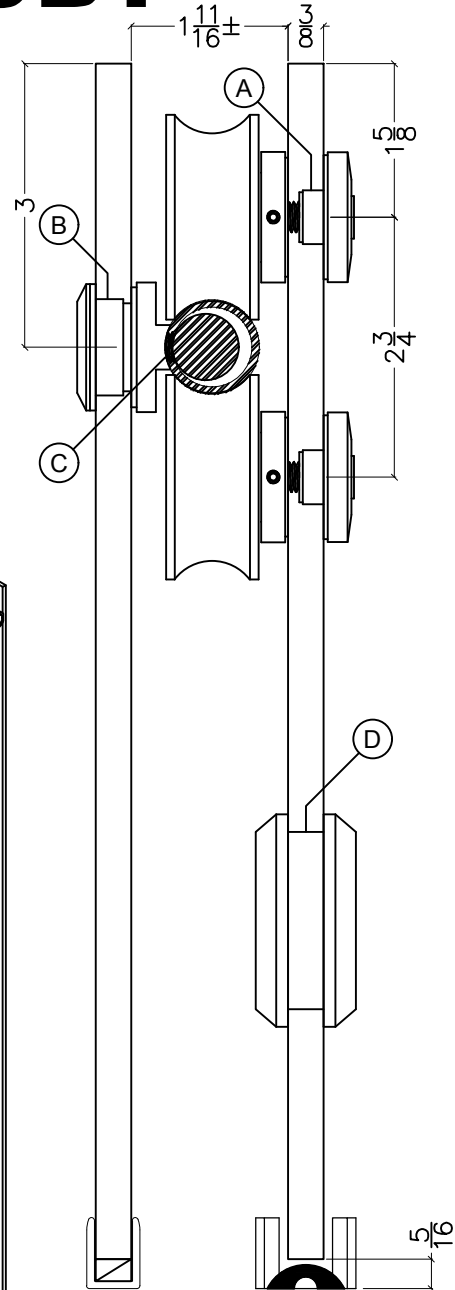
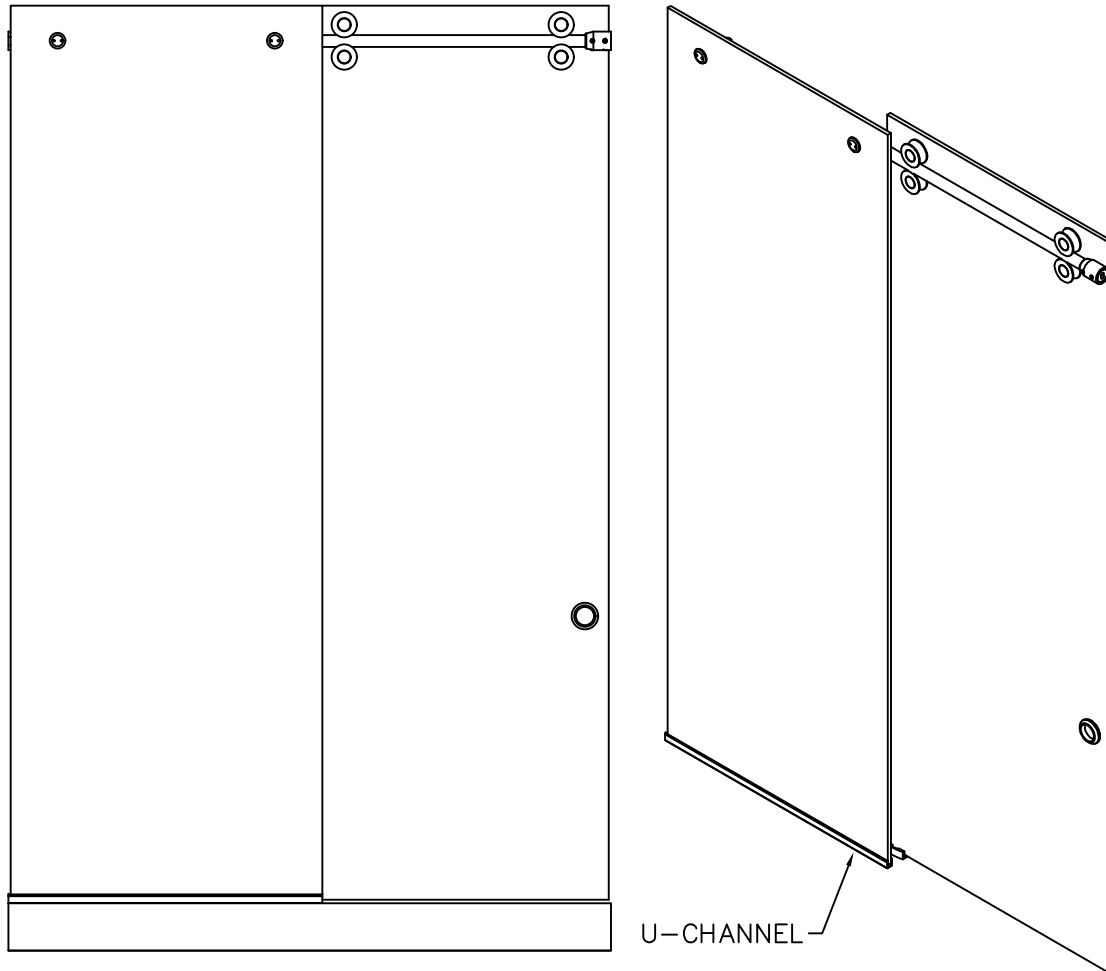
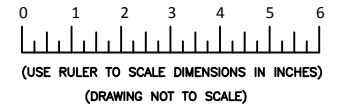


CLAMP CUT OUT VARIES

PL-TSC
CLAMP SHOWN
FOR REF. ONLY



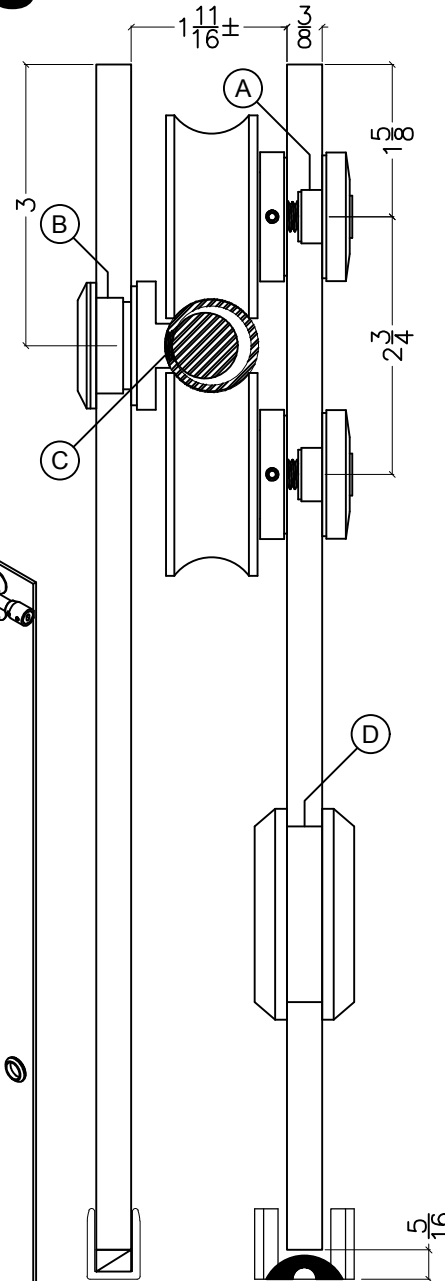
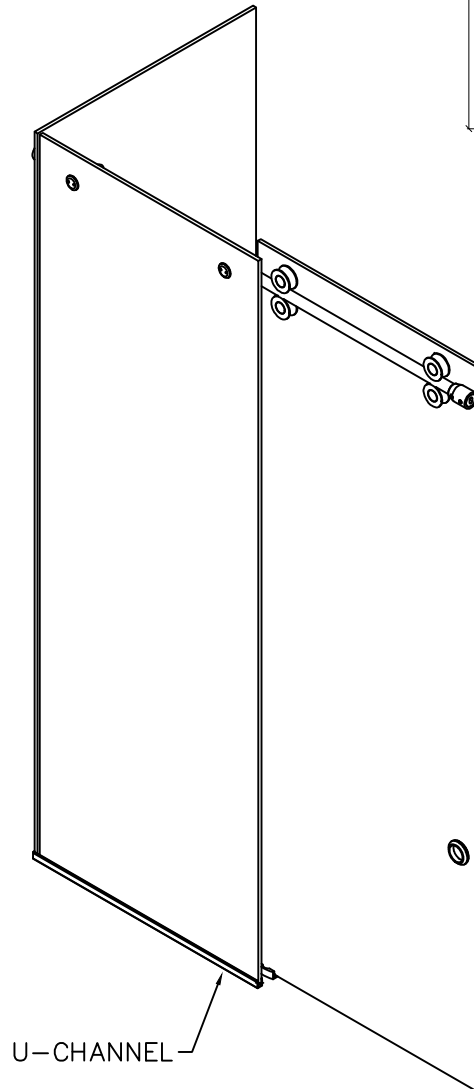
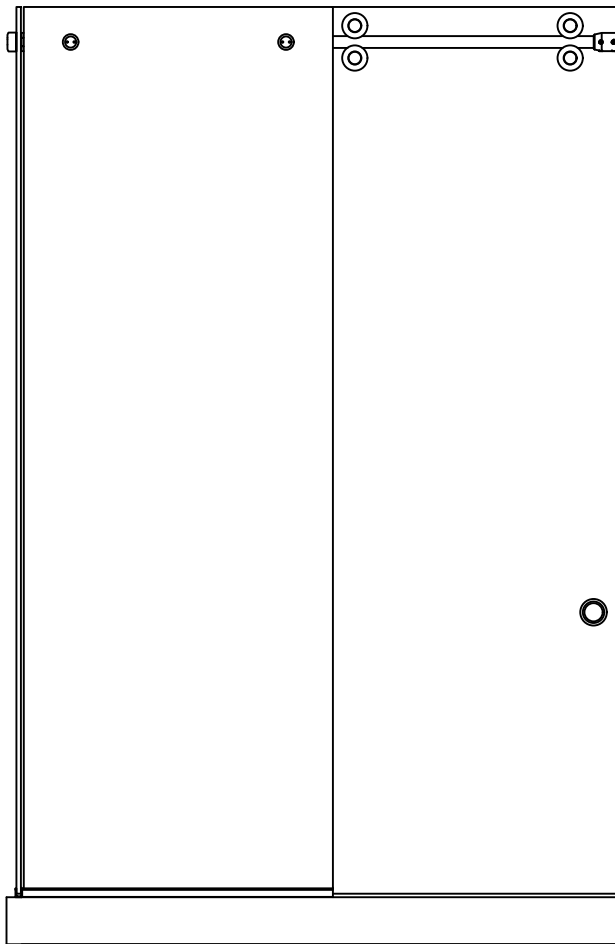
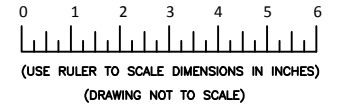
PL-SDRUBY



- Finishes Available
- Polished Stainless PL-SDRUBYPS
 - Brushed Stainless PL-SDRUBYBS
 - Oil Rubbed Bronze PL-SDRUBYORB
- MAXIMUM WEIGHT: 130 LBS
SUPPORT BAR LENGTH: 60"

- A) ROLLER HOLE SIZE: 3/4"Ø
- B) FIXED PANEL HOLE SIZE: 1"Ø
- C) TRACK HOLE SIZE: 3/8"Ø
- D) FLUSH PULL HOLE SIZE: 1-7/8"Ø

PL-SDRUBY90

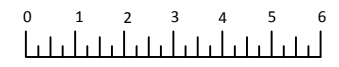


- Finishes Available
- Polished Stainless PL-SDRUBY90PS
 - Brushed Stainless PL-SDRUBY90BS
 - Oil Rubbed Bronze PL-SDRUBY90ORB

MAXIMUM WEIGHT: 130 LBS
SUPPORT BAR LENGTH: 60"

- A) ROLLER HOLE SIZE: $\frac{3}{4}"\text{Ø}$
- B) FIXED PANEL HOLE SIZE: $1"Ø$
- C) TRACK HOLE SIZE: $\frac{3}{8}"Ø$
- D) FLUSH PULL HOLE SIZE: $1\frac{7}{8}"Ø$

PL-SDRUBY90

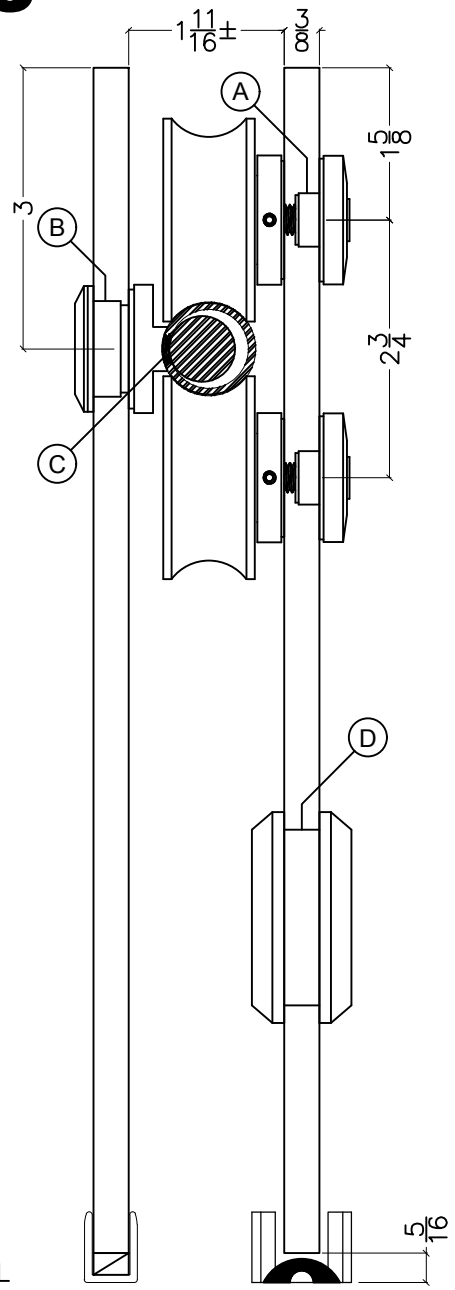
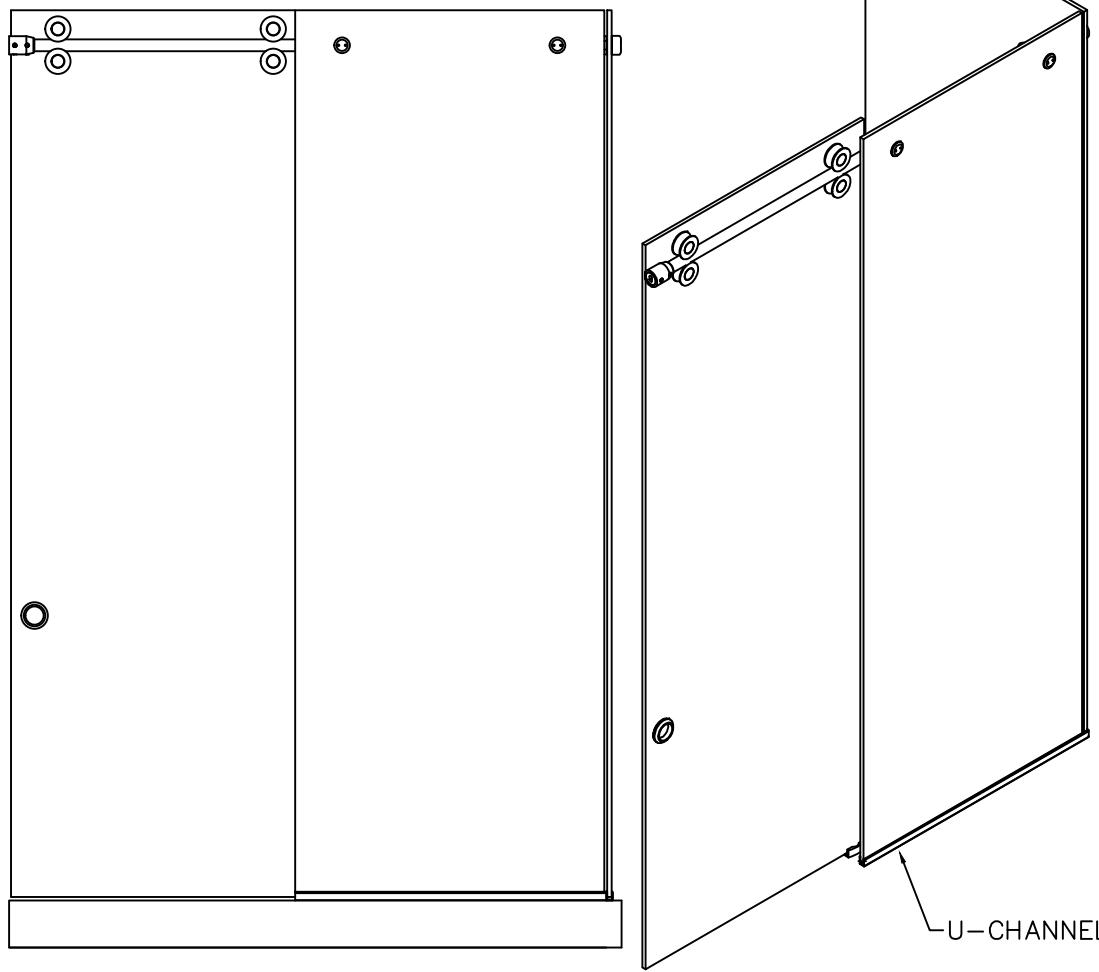


(USE RULER TO SCALE DIMENSIONS IN INCHES)
(DRAWING NOT TO SCALE)

- Finishes Available
- Polished Stainless PL-SDRUBY90PS
 - Brushed Stainless PL-SDRUBY90BS
 - Oil Rubbed Bronze PL-SDRUBY90ORB

MAXIMUM WEIGHT: 130 LBS
SUPPORT BAR LENGTH: 60"

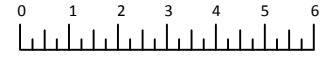
- A) ROLLER HOLE SIZE: 3/4"Ø
- B) FIXED PANEL HOLE SIZE: 1"Ø
- C) TRACK HOLE SIZE: 3/8"Ø
- D) FLUSH PULL HOLE SIZE: 1-7/8"Ø



U-CHANNEL

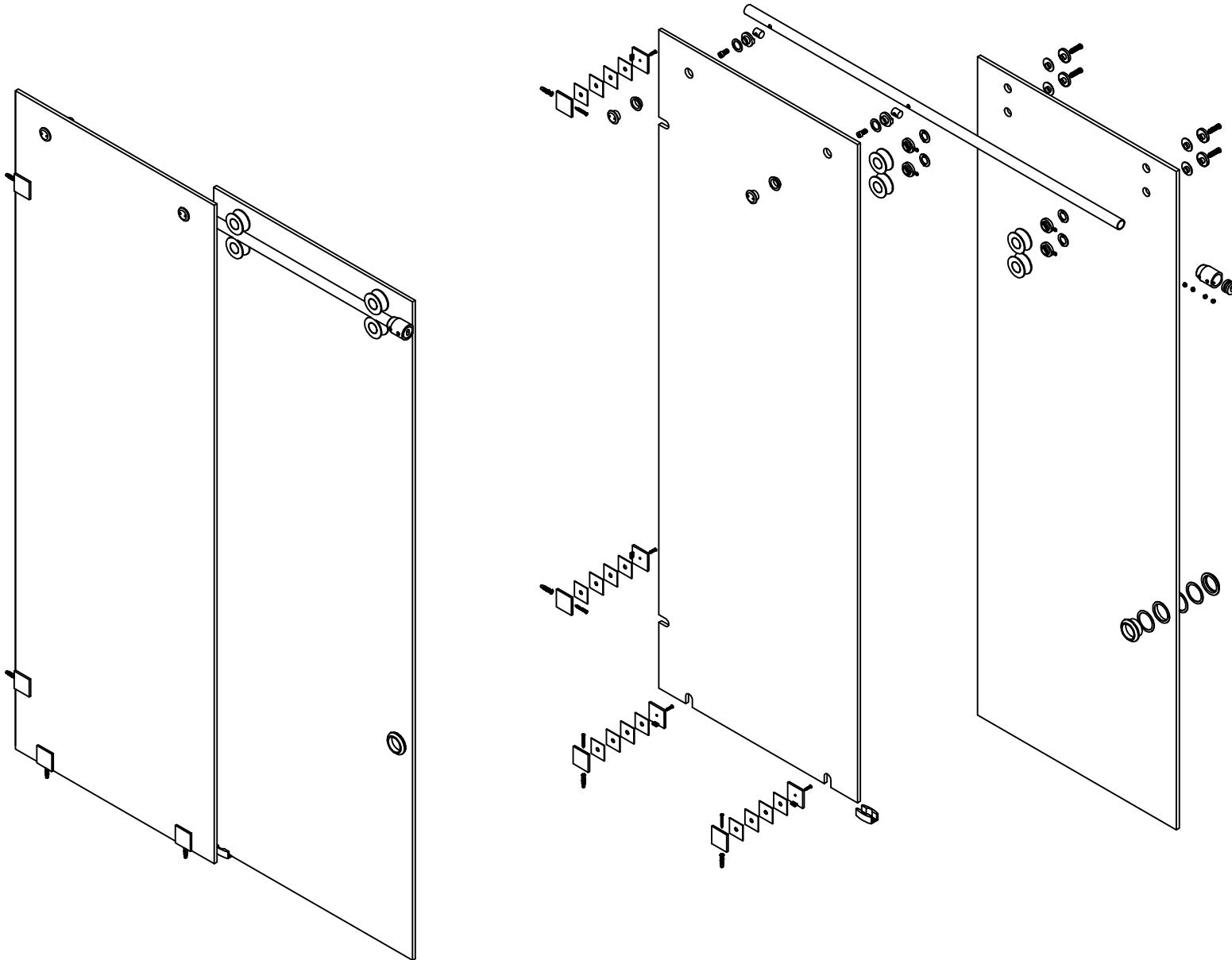
RUBY SHOWER DOOR SLIDER

OX



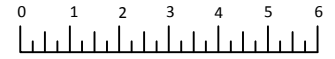
(USE RULER TO SCALE DIMENSIONS IN INCHES)
(DRAWING NOT TO SCALE)

- Finishes Available
- Polished Stainless PL-SDRUBYPSS
 - Brushed Stainless PL-SDRUBYBS
 - Oil Rubbed Bronze PL-SDRUBYORB



RUBY SHOWER DOOR SLIDER

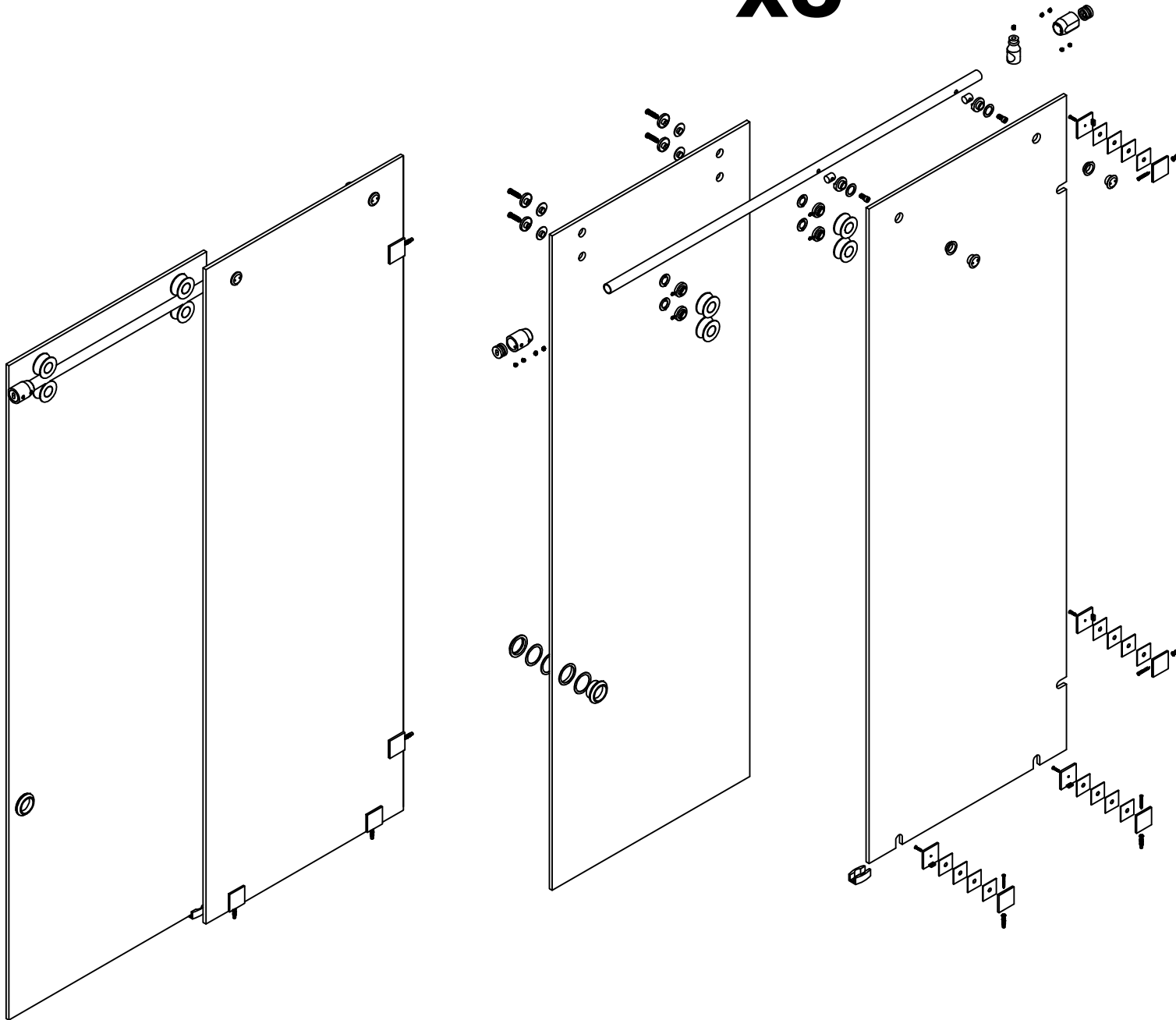
XO



(USE RULER TO SCALE DIMENSIONS IN INCHES)
(DRAWING NOT TO SCALE)

Finishes Available

- Polished Stainless PL-SDRUBYPSS
- Brushed Stainless PL-SDRUBYBS
- Oil Rubbed Bronze PL-SDRUBYORB

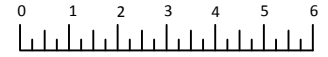


RUBY SHOWER DOOR SLIDER

PART NO: **PL-SDRUBY__**

Phone# (800) 433-7044

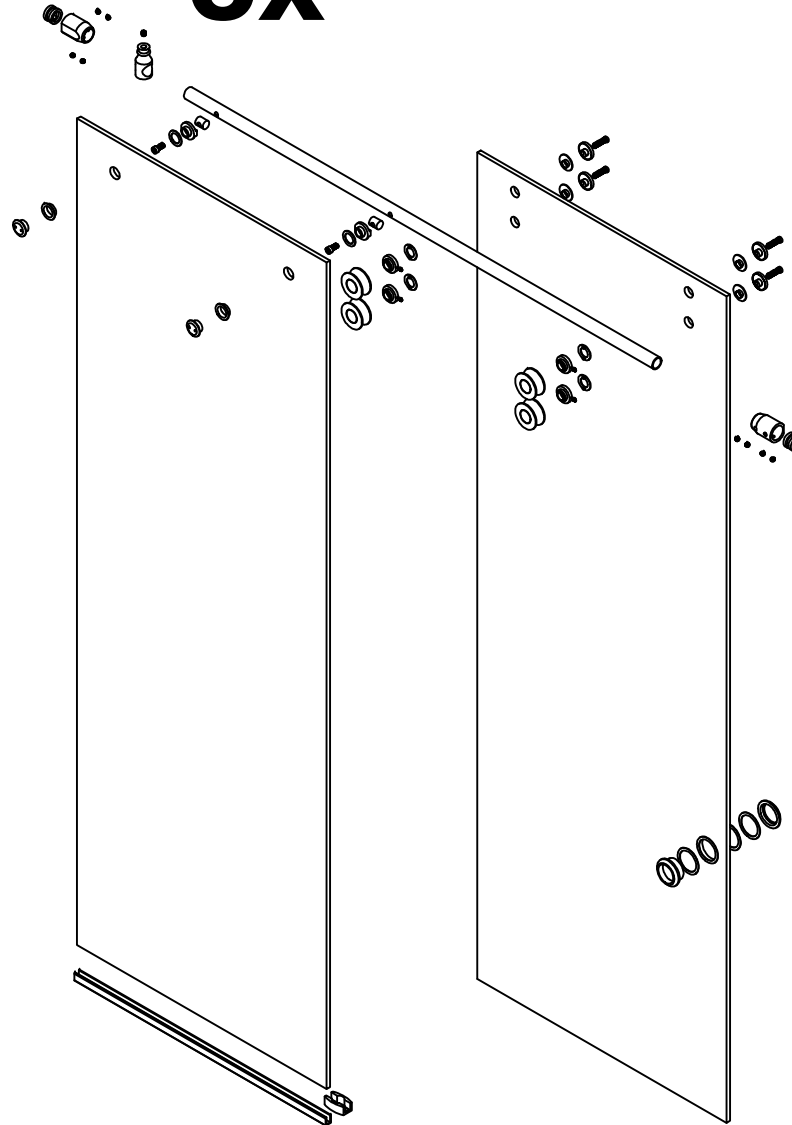
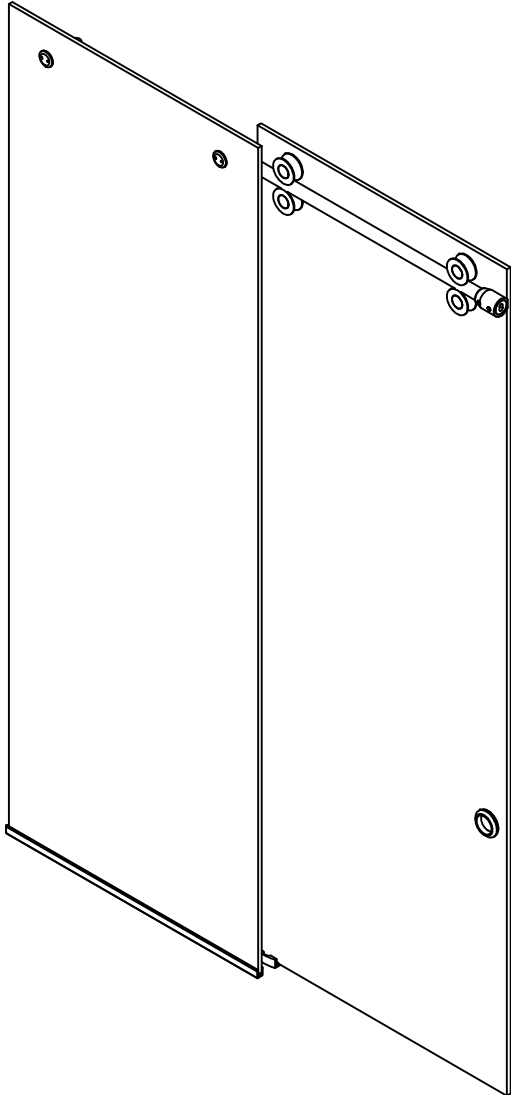
OX



(USE RULER TO SCALE DIMENSIONS IN INCHES)
(DRAWING NOT TO SCALE)

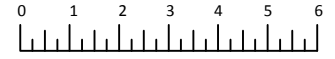
Finishes Available

- Polished Stainless PL-SDRUBYPSP
- Brushed Stainless PL-SDRUBYBS
- Oil Rubbed Bronze PL-SDRUBYORB



RUBY SHOWER DOOR SLIDER

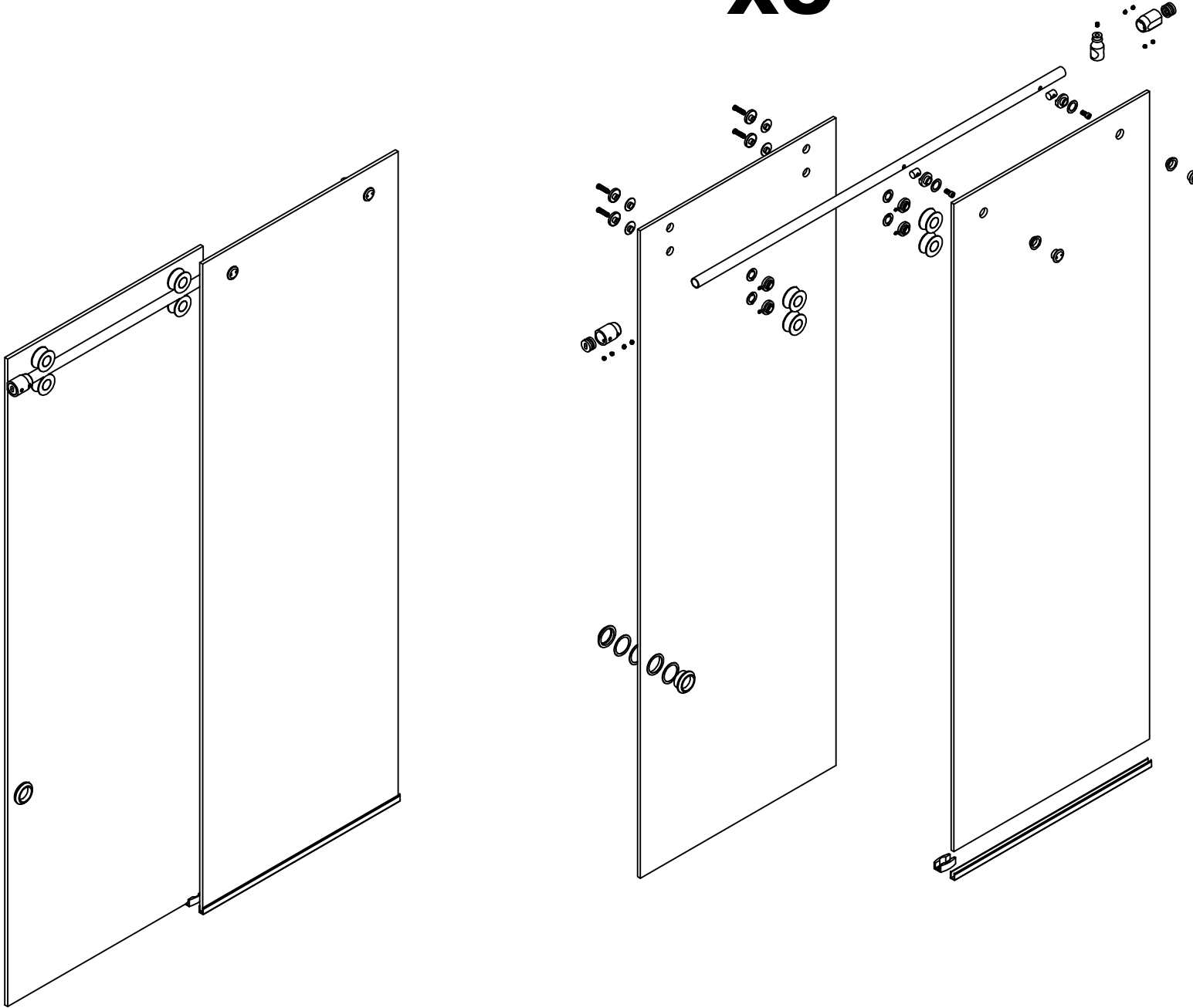
XO



(USE RULER TO SCALE DIMENSIONS IN INCHES)
(DRAWING NOT TO SCALE)

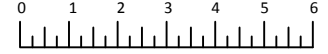
Finishes Available

- Polished Stainless PL-SDRUBYP5
- Brushed Stainless PL-SDRUBYB5
- Oil Rubbed Bronze PL-SDRUBYORB



RUBY SHOWER DOOR SLIDER

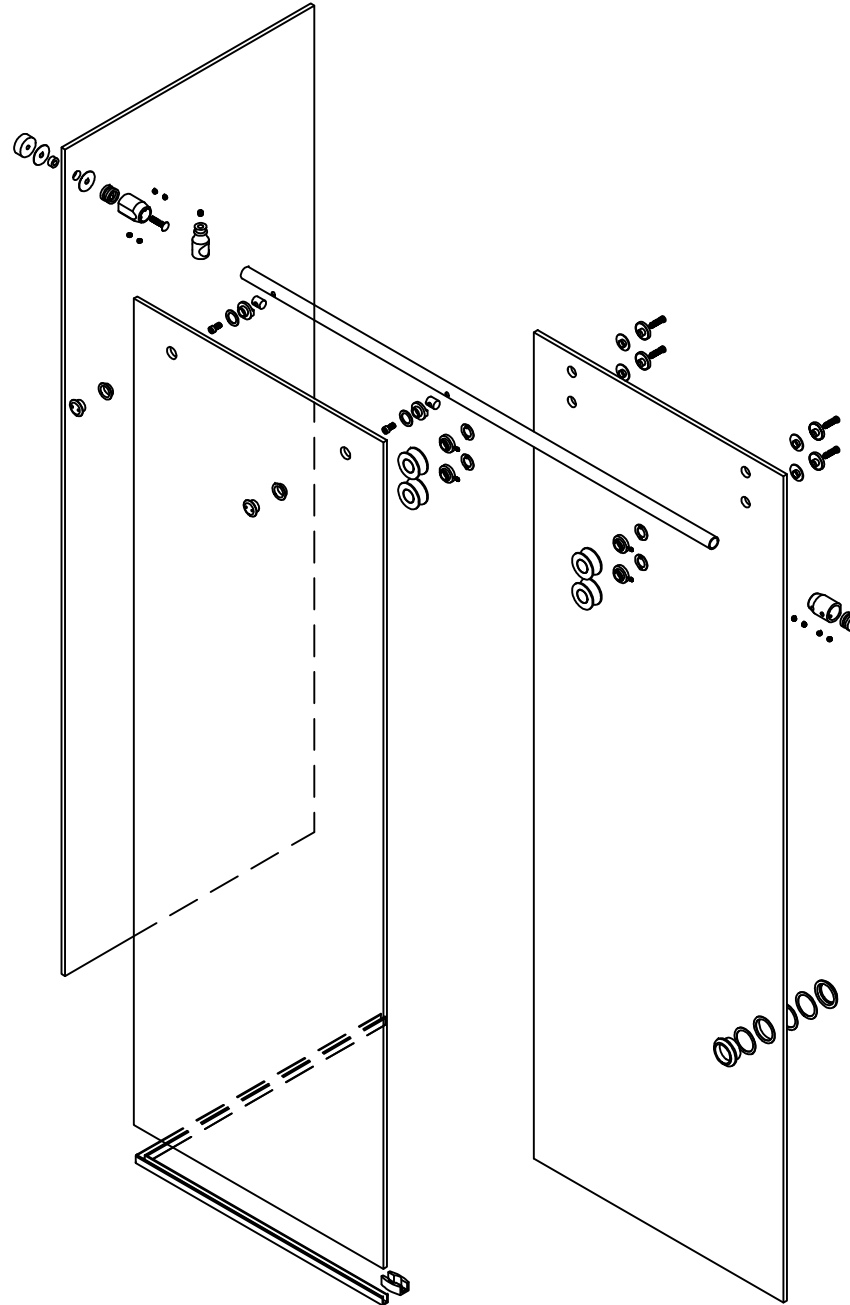
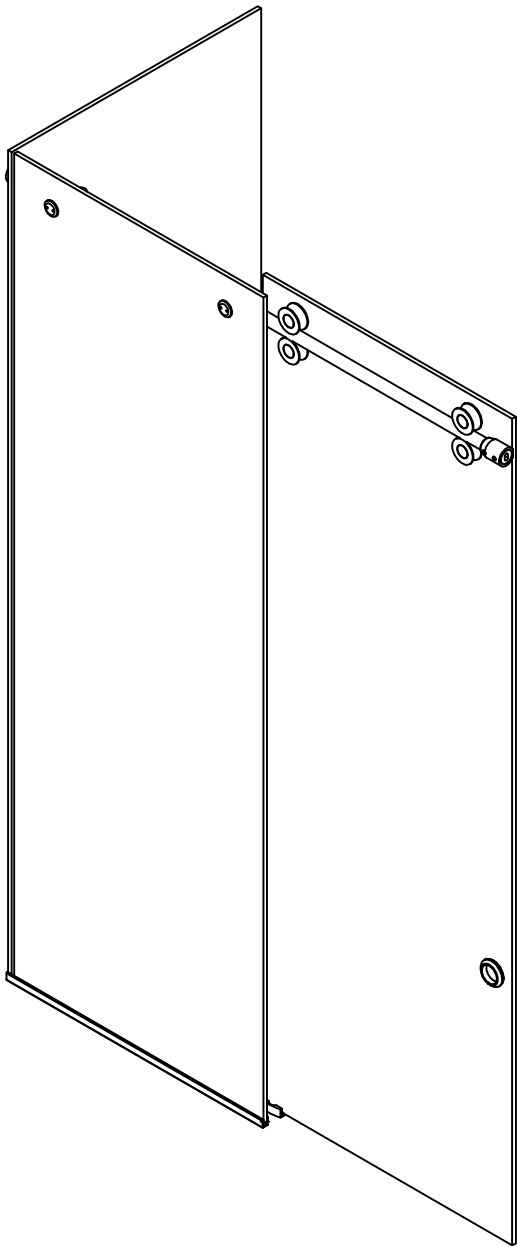
OX



(USE RULER TO SCALE DIMENSIONS IN INCHES)
(DRAWING NOT TO SCALE)

Finishes Available

- Polished Stainless PL-SDRUBY90PS
- Brushed Stainless PL-SDRUBY90BS
- Oil Rubbed Bronze PL-SDRUBY90ORB

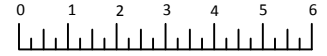


RUBY SHOWER DOOR SLIDER

PART NO: PL-SDRUBY__

Phone# (800) 433-7044

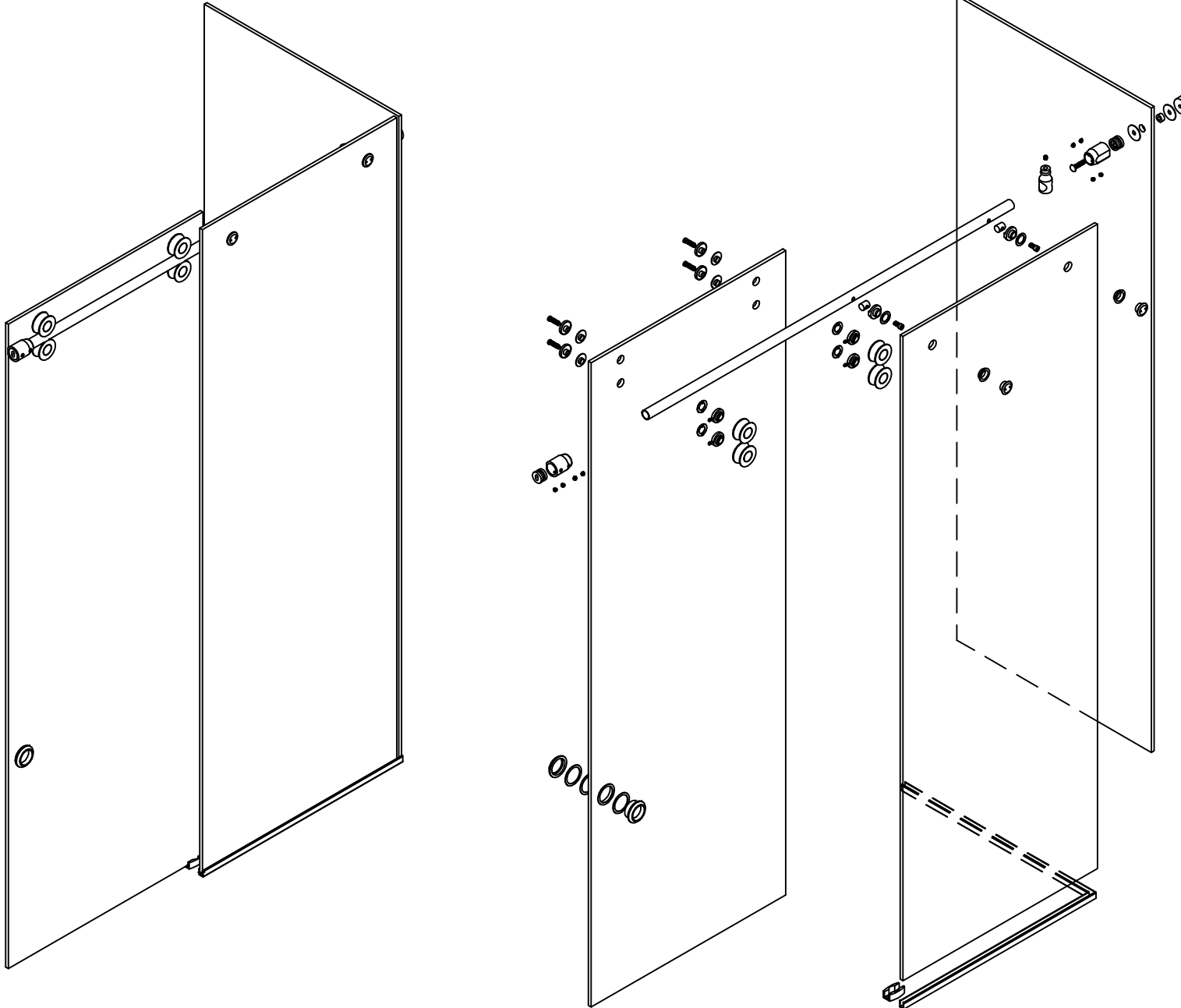
XO



(USE RULER TO SCALE DIMENSIONS IN INCHES)
(DRAWING NOT TO SCALE)

Finishes Available

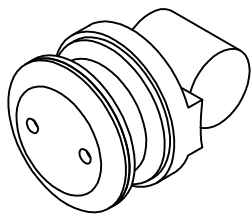
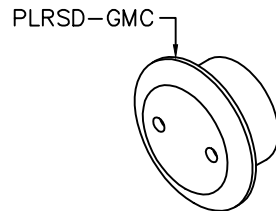
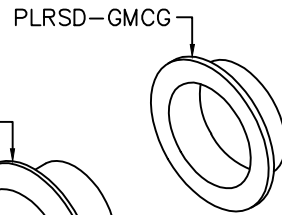
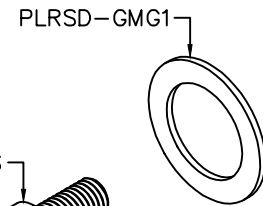
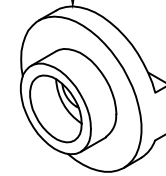
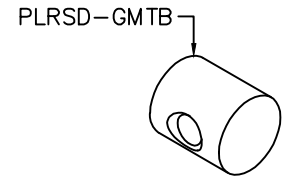
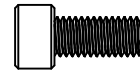
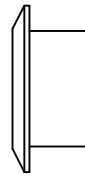
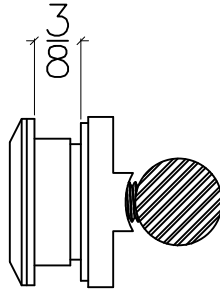
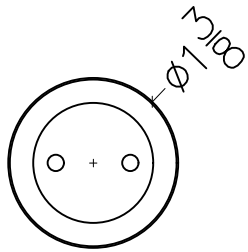
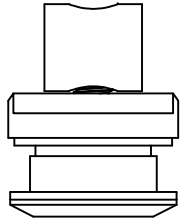
- Polished Stainless PL-SDRUBY90PS
- Brushed Stainless PL-SDRUBY90BS
- Oil Rubbed Bronze PL-SDRUBY90ORB



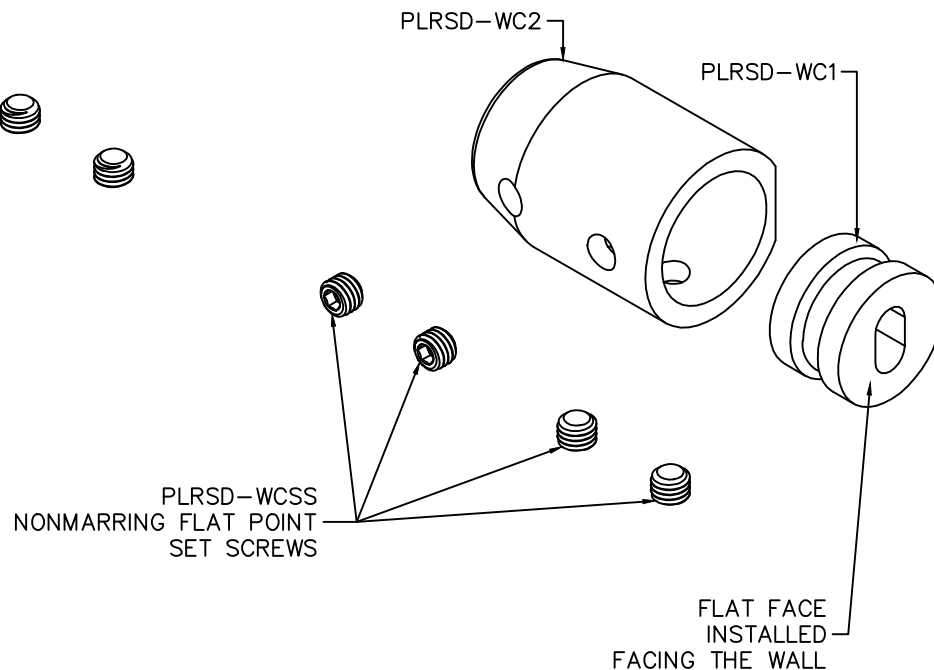
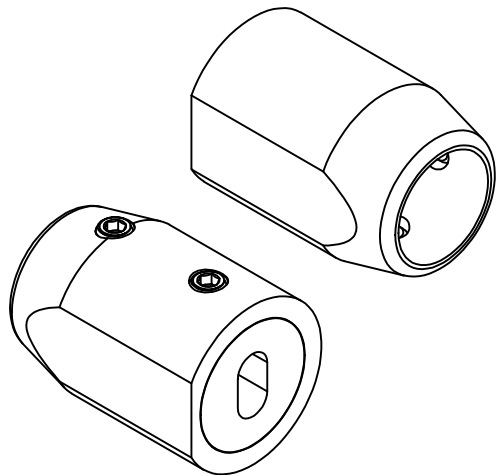
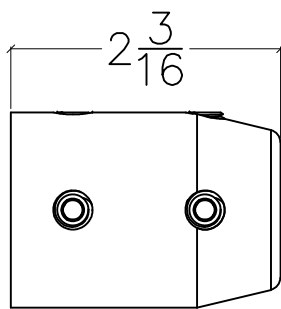
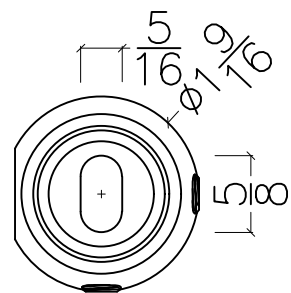
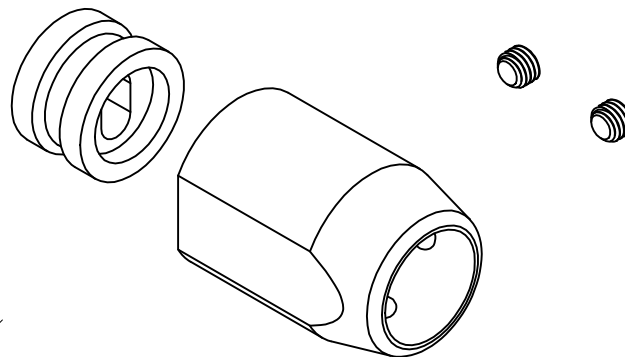
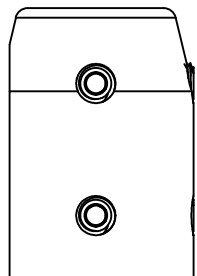
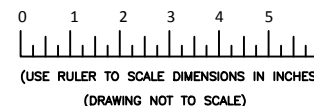
PLRSD-GM

0 1 2 3 4 5 6
 (USE RULER TO SCALE DIMENSIONS IN INCHES)
 (DRAWING NOT TO SCALE)

GLASS HOLE
 1" Dia. (26mm)



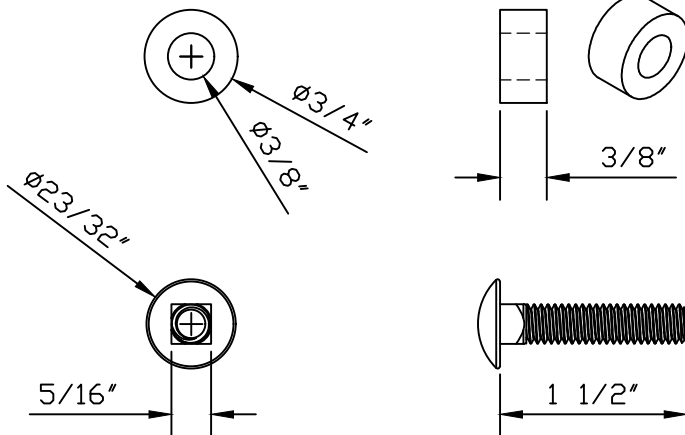
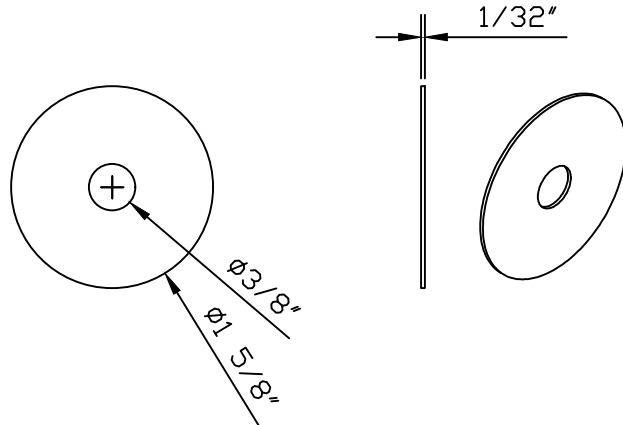
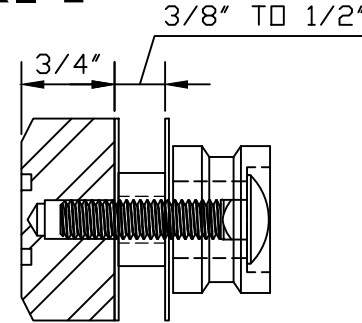
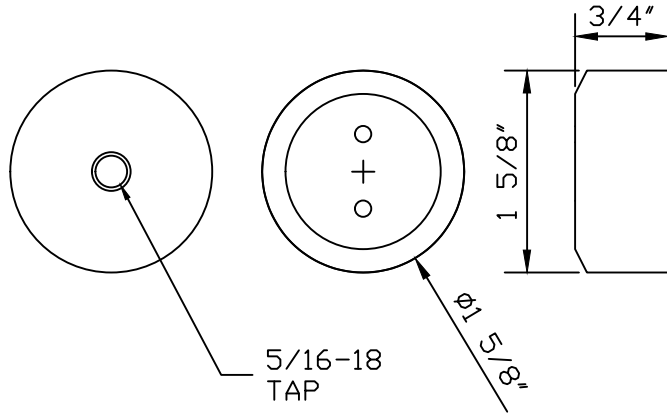
PLRSD-WC



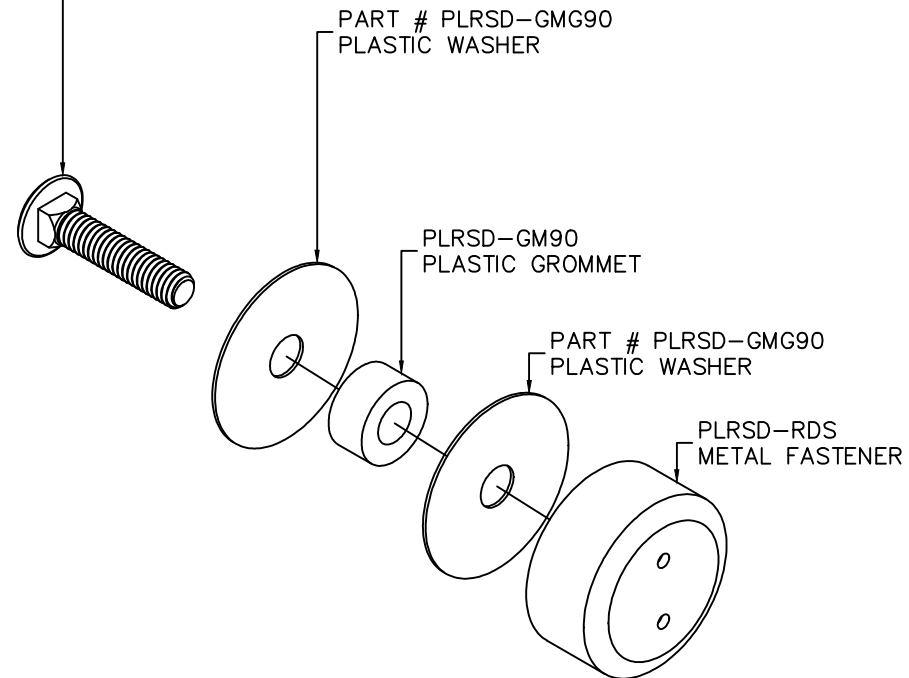
PLRSD90-KIT



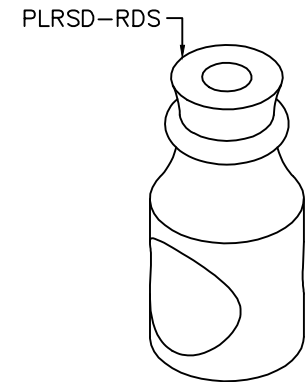
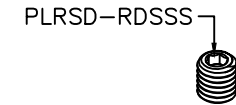
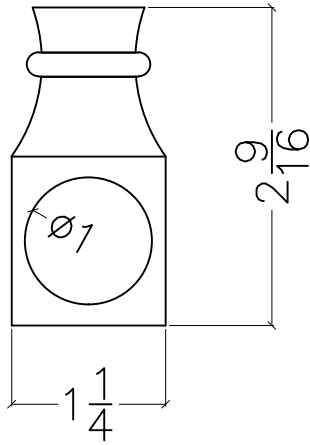
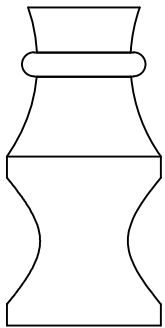
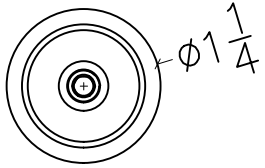
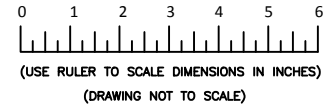
(USE RULER TO SCALE DIMENSIONS IN INCHES)
(DRAWING NOT TO SCALE)



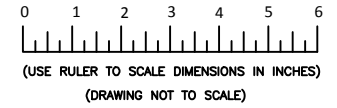
PART # 93180a330
316 Stainless Steel Square-Neck Carriage Bolt
Super-Corrosion-Resistant, 5/16"-18 Thread Size, 1-1/2" Long



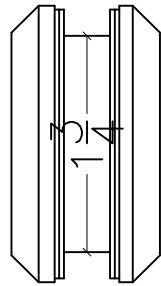
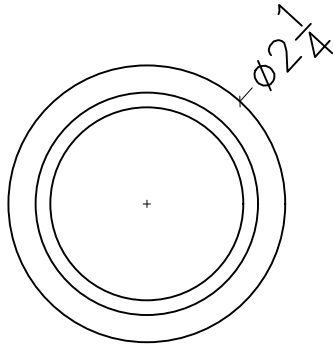
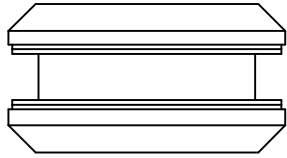
PLRSD-DS



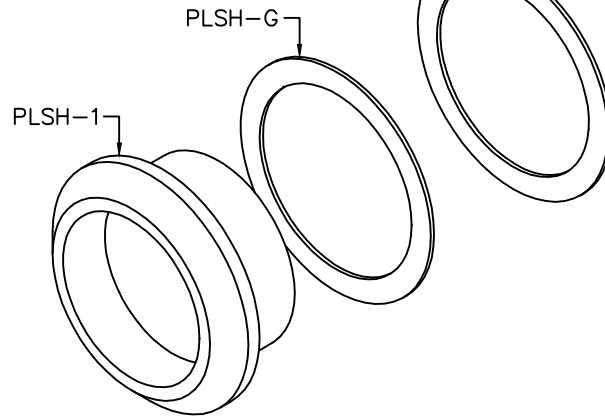
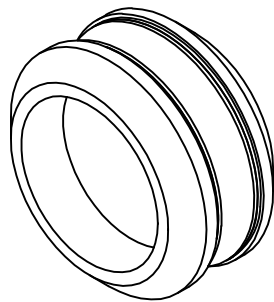
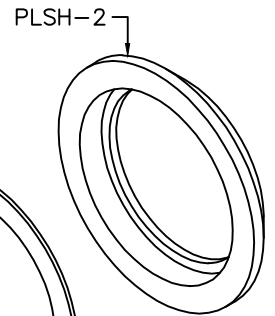
PLSH



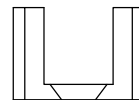
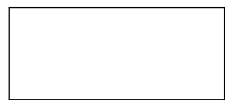
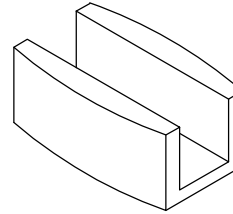
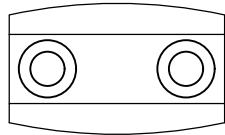
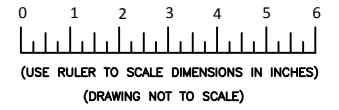
GLASS HOLE
1-7/8" Dia.



$1\frac{7}{8}$ Dia
GLASS HOLE

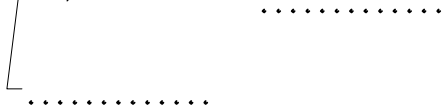
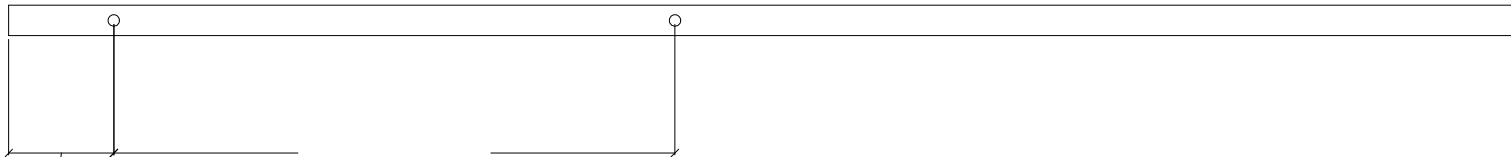
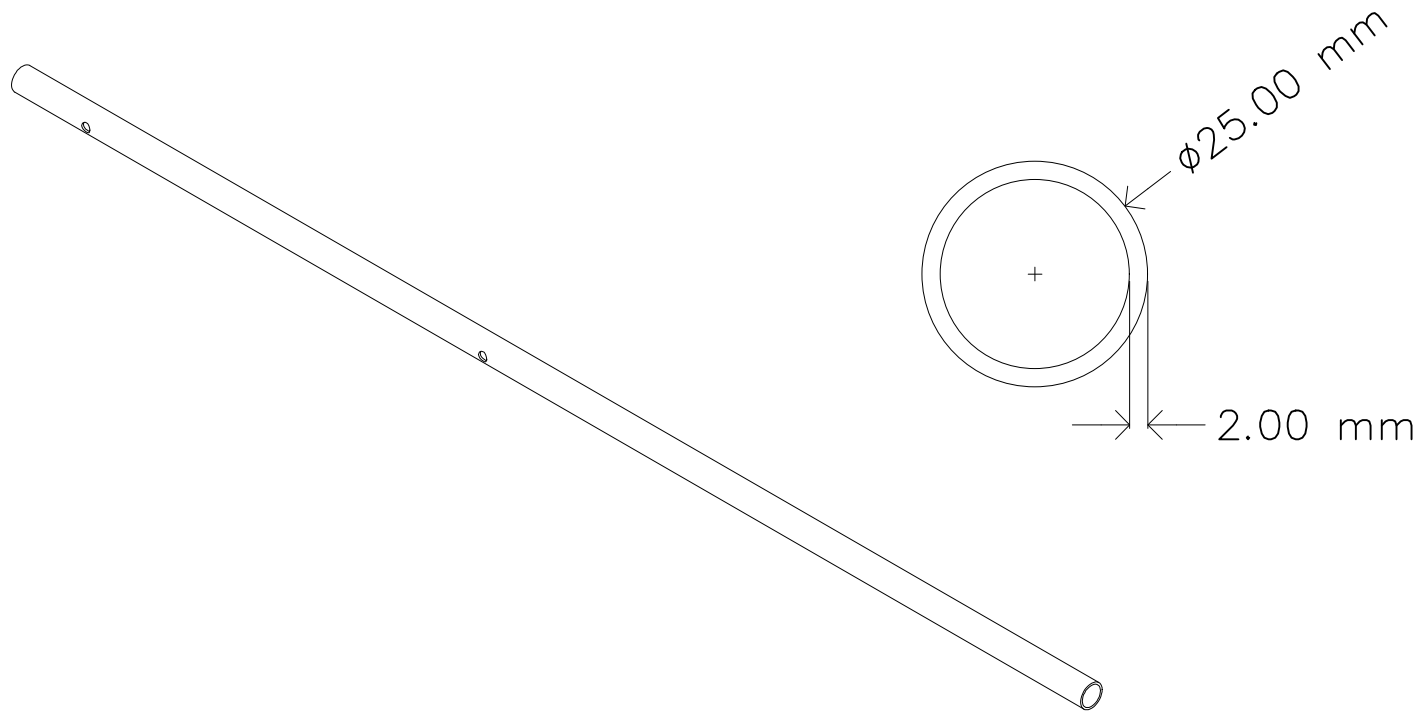


SLIDING DOOR FLOOR GUIDE

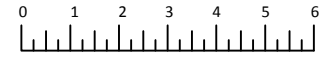


PL-SDRUBY-T

0 1 2 3 4 5 6
(USE RULER TO SCALE DIMENSIONS IN INCHES)
(DRAWING NOT TO SCALE)



PL-SDRUBY-T



(USE RULER TO SCALE DIMENSIONS IN INCHES)
(DRAWING NOT TO SCALE)

